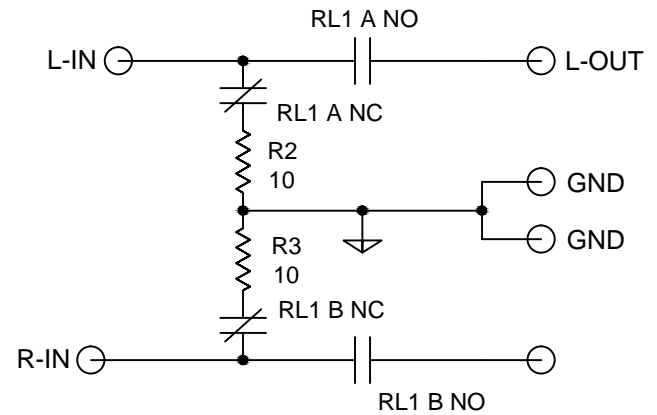


TRANSFORMER NOTE:

This design requires the use of a center tapped transformer providing +/- 24VAC. These are designated "48Volt Center tapped" or "24-0-24 Volt" or two "24 Volt" windings used in series w/ the center connected to GND.



Notes:

Board shown is NOT to scale.

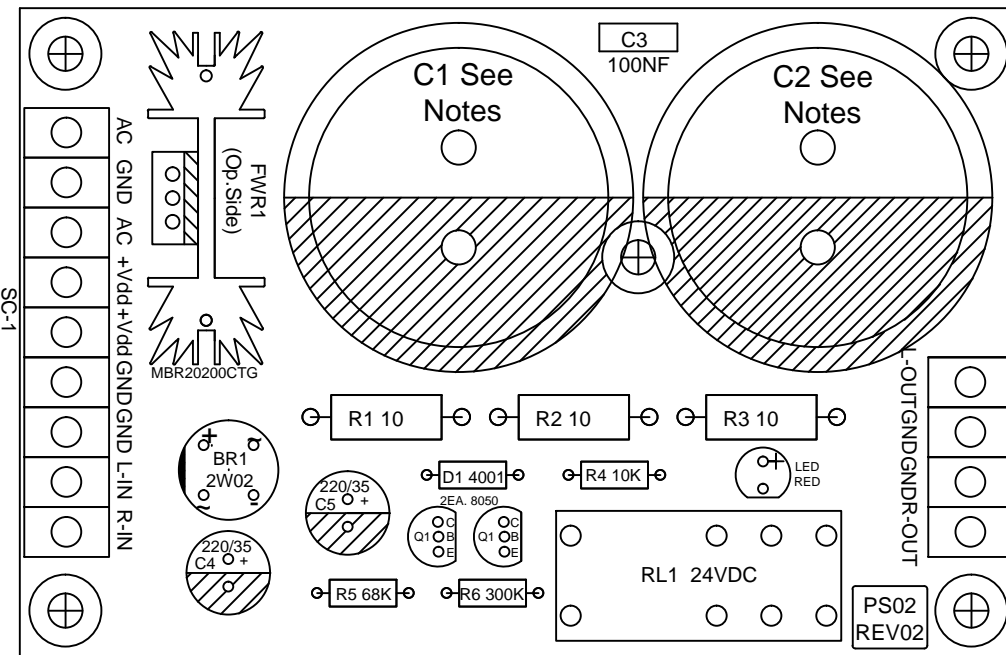
⚡ Indicates connected to GND.

Schematic and values refer to board marked "PS02 REV02"

C1 and C2 10K to 22K uF at 35 volts Min. Max Dia. is 35MM, hole spacing is 10mm.

Edge Mtg Holes not connected to anything. Center hole is GND. Center hole cannot be used w/ 35mm Caps.

BR1 is shown with flat. Unit delivered w/ kit is not. See BOM for parts discrepancies.



N3ZVT --- 1-25-23

Aliexpress Power Supply and Speaker Protection Kit
Board Marked "PS02 REV02"