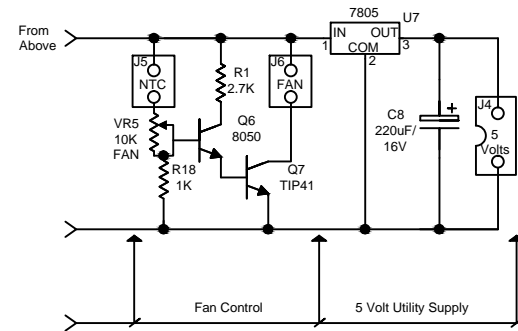
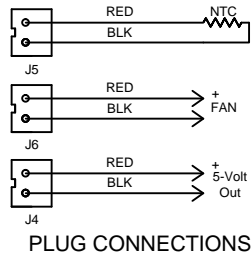
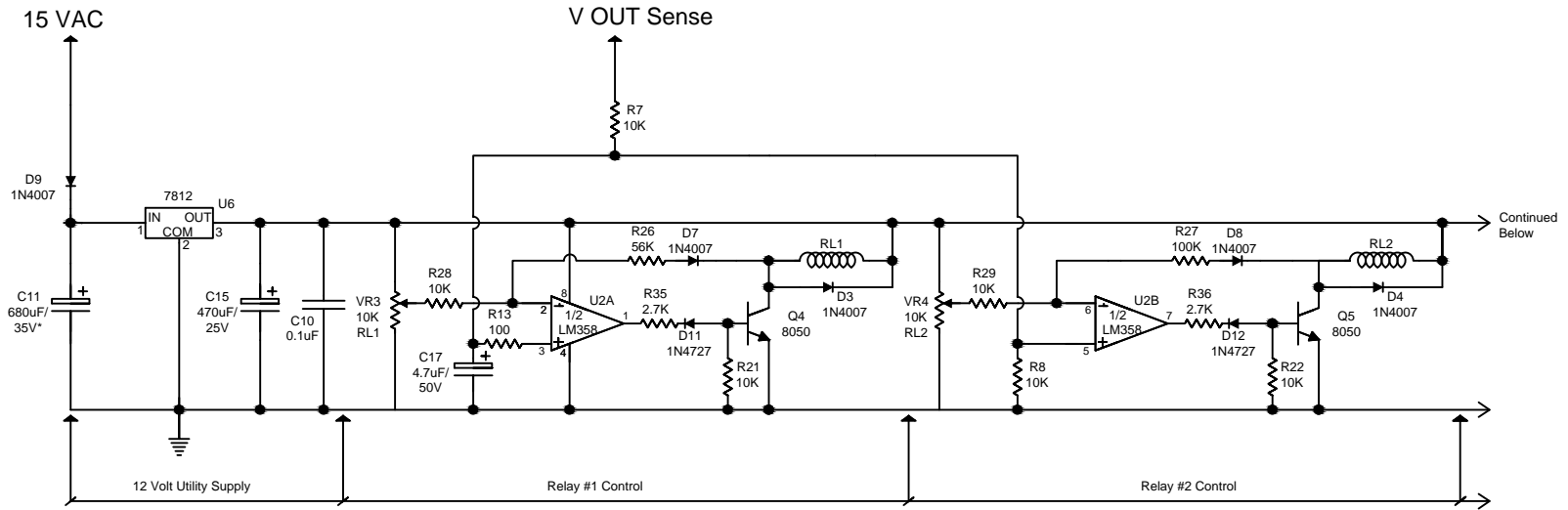


MATCH TO SHEET 2



Notes:

⏏ Indicates POWER Ground.

Linear 35 Volt 5 Amp Power Supply KIT
Schematic 3 of 3
Utility System

N3ZVT 03-23-22